

****Portable Gas Stove Instructions****

****1. Warnings/Precautions:****

1. The stove should have warning signs against mishandling and operation instructions. The type of gas cylinder to be used should be indicated.
2. Do not use refillable mini gas cylinders.
3. Do not disassemble the stove on your own.
4. Do not use the stove near other heat sources (e.g. induction cookers).
5. After using the stove, remove the gas cylinder and store separately.
6. Do not stack portable stoves with gas cylinders installed.
7. Do not use the stove under strong wind or hot air. Strong wind can blow out the flame, and hot air can increase the pressure inside the gas cylinder, leading to explosions.
8. Do not use containers that radiate significant heat, such as those made of stones, sand, or ceramic materials.
9. Avoid using cooking utensils that are as large as or can cover the side covers of the entire stove.
10. Improper installation can cause harm to people and property.
11. Installation of the stove should strictly follow the instruction manual and relevant regulations.
12. Only manufacturer-authorized agents or professionals can repair or replace parts.
13. Do not tamper with any seals on the stove.
14. Those who are not operators should not operate the stove.

****II. Common Troubleshooting:****

The flame of the cartridge stove should be light blue, with a clear inner flame, about 60mm high, with a slight noise and strong firepower. If the flame appears small, the causes and solutions are as follows:

1. Burner fire cover holes are blocked by dirt, preventing the mixed gas from flowing out. Clean the holes.
2. The nozzle is blocked. Unscrew and clean the nozzle.
3. The regulator inlet and nozzle are blocked by rust, preventing the gas inside the cylinder from flowing out. Replace with a qualified regulator
4. The copper tube is flattened, blocking the airflow. Straighten or replace the copper tube.
5. Also note other reasons like the gas is almost used up or the valve is not fully opened. Take corresponding measures accordingly.

Is it normal for the cartridge stove to produce red flames? Why does the cartridge stove produce red flames?

Red flames in cartridge stoves are mainly caused by:

1. Gas issues: If the combustion gas contains too much moisture or impurities, the flame may turn red.
2. Dust issues: If there's dust inside the room or increased moisture and oil vapor in the air while cooking, red flames can occur.
3. Air intake issues: Poor air intake adjustment can also lead to this issue.

What to do when the cartridge stove doesn't ignite?

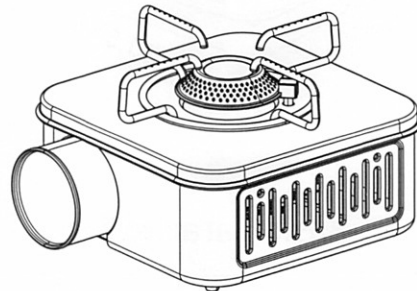
If the gas stove doesn't ignite, follow this procedure:

First, check if the gas source switch is on. If it's on, then check if the connecting copper tube is bent or compressed. If not, lift the pot support and check if the ignition nozzle produces fire:

1. If no fire is produced:
 - a. If the ignition needle doesn't discharge, it might be faulty. Replace the ignition needle.
 - b. If the ignition needle discharges, there might be a blockage in the gas route or a valve malfunction. Replace the valve.
2. If fire is produced:
 - a. If it burns normally, the igniter might be positioned too high. Guide users to press the igniter slightly downwards a few times, then replace the pot support.
 - b. If there's fire but the flame is too weak and doesn't reach the stove top, the gas pressure might be too low. This can happen if the gas cylinder is almost empty or the adjustment valve is malfunctioning.
 - c. If there's fire and the flame reaches the fire cover but doesn't ignite, the valve might be blocked. Guide users to unclog the nozzle with thin wire.

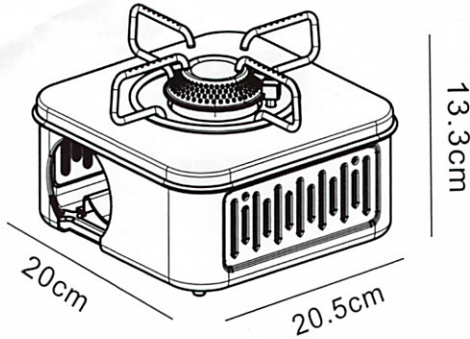
Mini Cartridge Stove

User's manual



Cartridge stove installation video

Product specifications



Basic Parameters

Product Name	Mini Cartridge Stove	Ignition Method	Electronic Ignition
Applicable Gas Type	Butane Cylinder (>95% Butane)	Burning Power	2800W
Product Model	PYB-DKS1003	Rated Gas Consumption	200g/h
Product Dimensions	20.5X20X13.3CM	Product Weight	1.2kg
Small Gas Cylinder Specifications	BDP-250-A	Implementation Standard	GB/T38522-2020

User guide



1. First, determine the position and angle of the internal latch of the cartridge stove.



2. Make sure the notch on the gas cylinder is facing upward.



3. Align and insert into the latch position of the cartridge stove.



4. Insert the gas cylinder. You should hear two distinct "ka-ka" sounds from the latch.



5. Rotate the switch counterclockwise and pause for a second.



6. If you hear a "ka-da" sound followed by a normal flame, the installation is successful.

Note: Before igniting, please check for any gas leaks. If you smell an unusual odor (like onions), immediately stop igniting.