

## Features

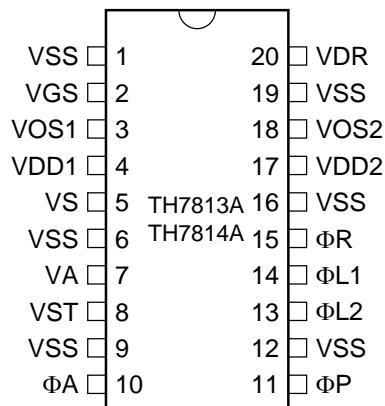
- Data Rate up to 50 MHz (2 Outputs at 25 MHz Each)
- Pixel Size: 10  $\mu\text{m}$  x 10  $\mu\text{m}$  (10  $\mu\text{m}$  Pitch)
- 300 to 1100 nm Spectral Range
- High Sensitivity and Lag-free Photodiodes
- Very Low Noise (30 pJ/cm<sup>2</sup> Noise Equivalent Illumination)
- Antiblooming
- Exposure Control
- 20-lead 0.4" DIL Package
- Electrical, Mechanical and Optical Compatibility Between the Two Products

The TH7813 and TH7814 linear arrays are based on Atmel's most recent know-how in terms of design and technology. Flexibility and performance of these devices give the opportunity to use them in most vision systems for industrial applications (web inspection, process control, sorting and inspection of various parts), document scanning up to 200 dpi, metrology, etc.

## Pin Identification

All pins must be connected

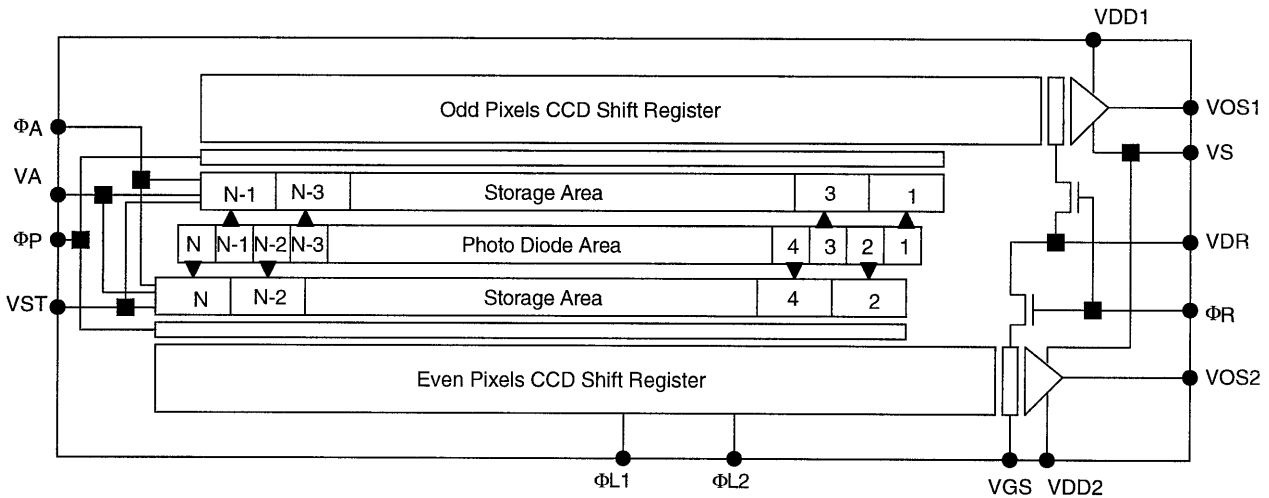
Pin Number	Symbol	Function
4, 17	VDD1,2	Output Amplifiers Drain Supply
3, 18	VOS1,2	Video Outputs
5	VS	Output Amplifiers Substrate Bias
20	VDR	Reset Drain Supply
2	VGS	Output Gate Bias
14	$\Phi\text{L1}$	Readout Register Clocks
13	$\Phi\text{L2}$	
15	$\Phi\text{R}$	Reset Clock
10	$\Phi\text{A}$	Antiblooming Gate Bias/Clock
7	VA	Antiblooming Drain Bias
8	VST	Storage Gate Bias
11	$\Phi\text{P}$	Transfer Gate Clock
1, 6, 9, 12, 16, 19	VSS	Ground, Optical Shield Grounding (Internally Connected)



**50 MHz**  
**1024/2048**  
**Linear CCDs**

**TH7813A**  
**TH7814A**





### Absolute Maximum Ratings\*

Storage Temperature Range.....	-55°C to +150°C
Operating Temperature Range.....	-40°C to +85°C
Thermal Cycling.....	15°C/mn
Maximum Applied Voltages:	
• Pin: 2, 8, 10, 11, 13, 14, 15 .....	-0.3 to 15V
• Pin: 4, 5, 7, 17, 20 .....	-0.3 to 16V
• Pin: 1, 6, 9, 12, 16, 19 .....	0V (ground)

\*NOTICE: Stresses above those listed under absolute maximum ratings may cause permanent device failure. Functionality at or above these limits is not implied. Exposure to absolute maximum ratings for extended periods may affect device reliability.

Note: Operating range defines the limits within which the functionality is guaranteed. Electrical limits of applied signals are given in operating conditions section.

### Operating Precautions

Shorting the video outputs to any other pin, even temporarily, can permanently damage the on-chip output amplifier.

### Operating Conditions

Table 1. DC Characteristics

Parameter	Symbol	Value			Unit
		Min	Typ	Max	
Output Amplifier Drain Supply	VDD1, VDD2	14.5	15	15.5	V
Storage Gate Bias	VST	2.2	2.4	2.6	V
Antiblooming Gate (See Pixel Saturation Adjustment)	ΦA	2	4	7	V
Reset Bias	VDR	13.5	14	14.5	V
Antiblooming Diode Bias	VA	14.5	15	15.5	V

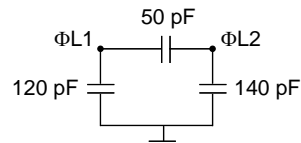
**Table 1.** DC Characteristics (Continued)

Parameter	Symbol	Value			Unit
		Min	Typ	Max	
Register Output Gate Bias	VGS	2.2	2.4	2.6	V
Output Amplifier Source Supply	VS		0		V
Ground	VSS		0		

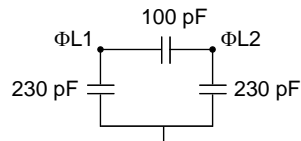
**Table 2.** Drive Clocks Characteristics

Parameter	Symbol	Value			Unit	Remark
		Min.	Typ.	Max.		
Reset gate High level Low level	$\Phi R$	8.5	9	9.5	V	Clock Capacitance < 25 pF
		-0.1	0	0.4	V	
Transfer gate High level Low level	$\Phi P$	8.5	9	9.5	V	Clock Capacitance < 100 pF
		-0.1	0	0.4	V	
Readout register clocks High level Low level	$\Phi L1, 2$	8.5	9	9.5	V	see Figure 1 and Figure 2
		-0.1	0	0.4	V	
Maximum readout register frequency	$F_H$		10	25	MHz	

**Figure 1.** Readout Register Clocks Capacitance TH7813



**Figure 2.** Readout Register Clocks Capacitance TH7814



## Timing Diagrams

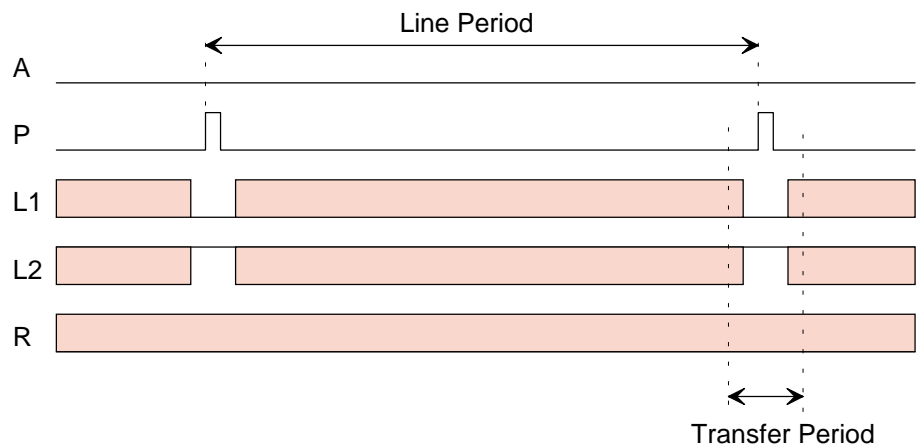
The following diagram shows the general clocking scheme for the TH7813A and TH7814A.

The line is composed as follows:

Synopsis	Number of Prescan Pixels Per Output	Number of Useful Pixels Per Output	Total Number of Pixels Per Output
TH7813A	4	512	516
TH7814A	4	1024	1028

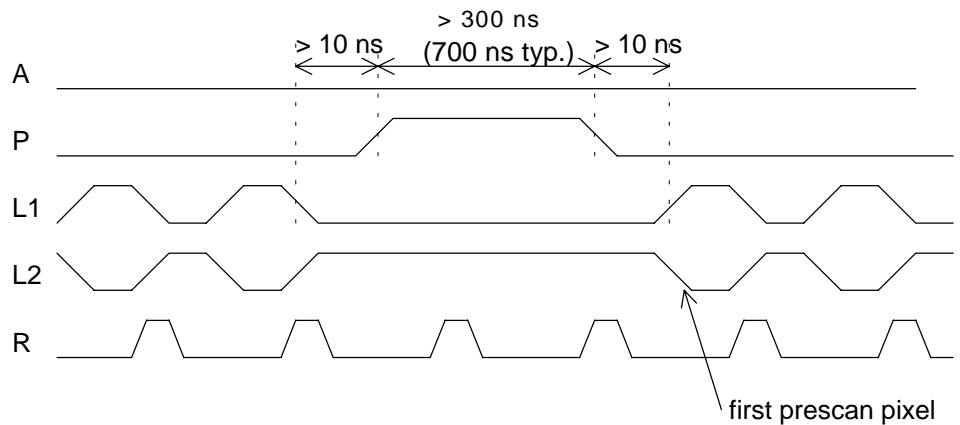
Postscan elements may be added in order to either increase the exposure time, or to provide a voltage reference level.

**Figure 3.** Line Timing Diagram



The following diagram shows the timing for the transfer period:

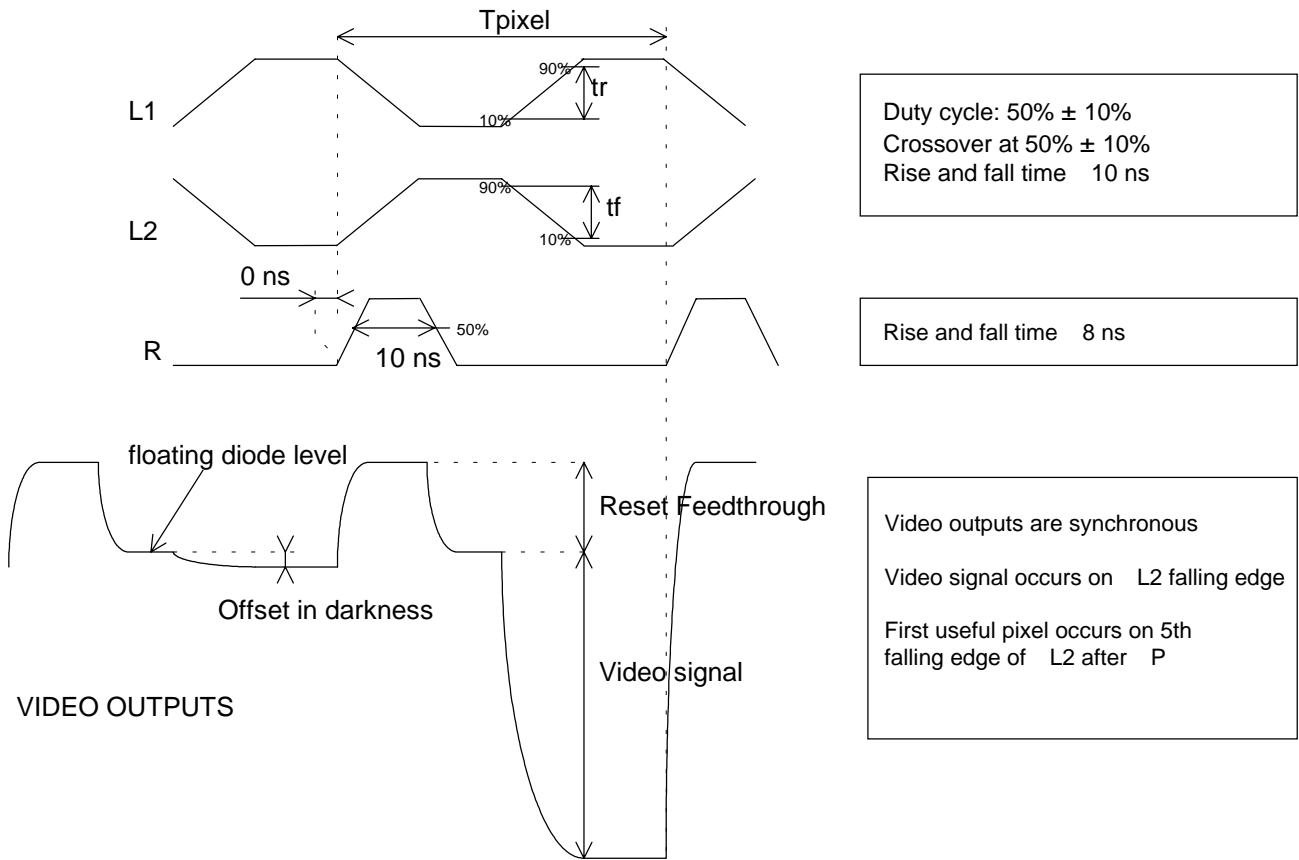
**Figure 4.** Line Transfer Period



$\Phi R$  clock may also be held in high state during line transfer period.

The following diagram shows the detailed timing for the pixel readout:

Figure 5. Pixel Readout Timing Diagram



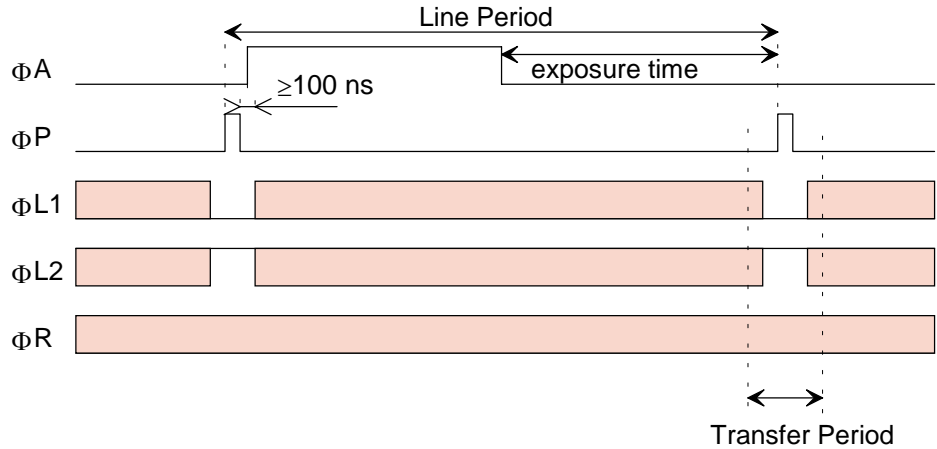
### Exposure Time Reduction

The antiblooming structure of the TH7813A and TH7814A provides an electronic shutter capability by clocking phase  $\Phi A$  during the line period. The timing diagram is described below:

Antiblooming Gate	$\Phi A$	Min	Typ	Max	Unit	Clock Capacitance (see note)
High Level		8.5	9	9.5	V	Low Level Sets Saturation Level
Low Level		2	4	7	V	See Pixel Saturation Adjustment
Pulse Min.		200			ns	

Note: Clock capacitance: TH7813A = 50 pF, TH7814A = 100 pF

**Figure 6. Exposure Time Reduction**



## Electro-optical Performance

- General test conditions:

$T_{CASE} = 25^{\circ}C$

Light source: 2854K with 2 mm BG38 filter (unless specified) + F/11 optical aperture.

Typical operating conditions: 2 x 10 MHz

All values are referred to prescan pixels level.

Parameter	Symbol	Value			Unit	Remarks
		Min	Typ	Max		
Saturation Output Voltage	$V_{SAT}$	1.65	2	3	V	
Responsivity	R	7.5	8.5		V/ $\mu J/cm^2$	
Responsivity Unbalance			2	5	%	
Photo Response Non Uniformity Peak-to-peak	PRNU		$\pm 5$	$\pm 10$	% $V_{OS}$	$\bar{V}_{OS} = 50$ mV to 1.5V
Dark Signal	DS		0.1	0.4	mV/ms	
Dark Signal Non Uniformity ( $1\sigma$ )	DSNU			0.1	mV/ms	
Temporal RMS Noise in Darkness	$V_N$		300		$\mu V$	
Dynamic Range	DR	5,500	6,600			
CTF	CTF		65		%	
LAG	LAG			1	%	
Charge Transfer Inefficiency (per stage)	HCTI			$8 \cdot 10^{-5}$		

## Static And Dynamic Electrical Characteristics

Parameter	Symbol	Value			Unit	Remarks
		Min	Typ	Max		
Output Amplifier Supply Current	$I_{DD}$		10		mA	per amplifier
Output Impedance	$Z_S$	200	225	259	$\Omega$	
DC Output Level	$V_{REF}$		10		V	
Output Conversion Factor	CVF		5		$\mu V/e^-$	
Offset in Darkness	DC off		30		mV	
Reset Feedthrough	Vft		400		mV	

### Electro-optical Performances without Infrared Cut-off Filter

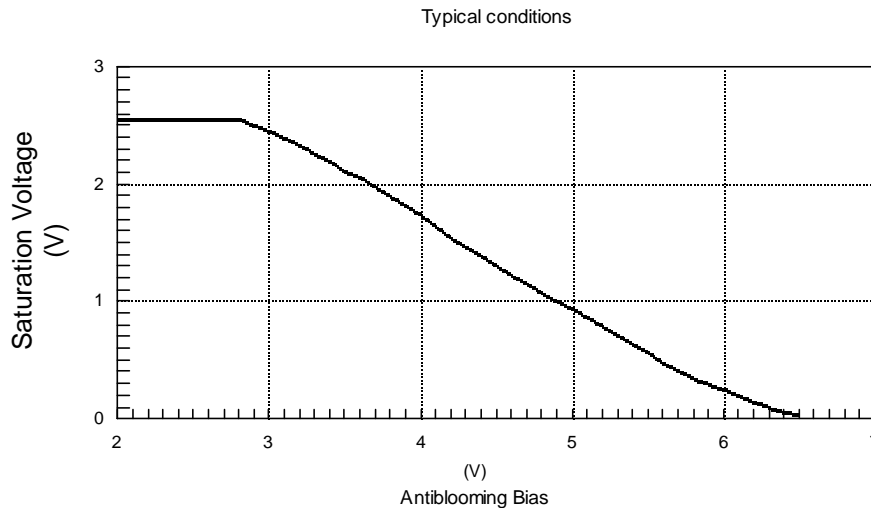
The TH7813A and TH7814A special semiconductor process enables to exploit the silicon's high near infrared sensitivity while maintaining good imaging performances in terms of response uniformity and resolution. Typical changes in performance with and without IR filtering are summarized below:

Parameter	With IR Cut-off Filter	Without IR Cut-off Filter
Average Video Signal Due to a Given Illumination	$V_{OS}$	$6 \times V_{OS}$
PRNU (Single Defects Excluded)	$\pm 5\%$	5%
CTF at Nyquist Frequency	65%	49%

### Pixel Saturation Adjustment

The TH7813A and TH7814A antiblooming structure can be used to adjust the maximum saturation voltage, by adjusting the  $\Phi A$  bias voltage. The following curve shows the relation between  $V_{SAT}$  and  $V_{\Phi A}$ .

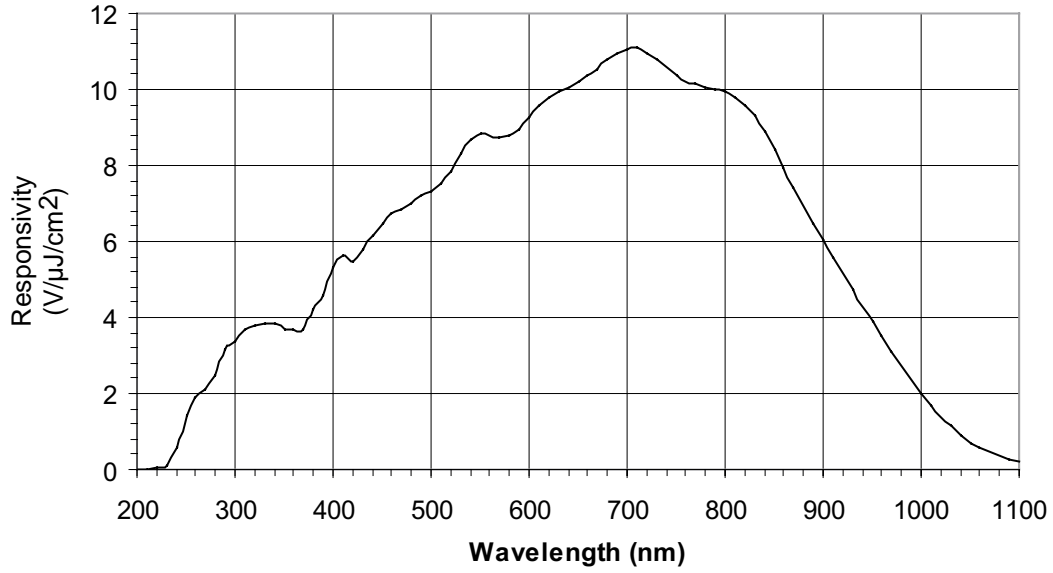
Figure 7. Pixel Saturation vs. Antiblooming Bias (Typical Conditions)



## Spectral Responsivity

The following curve shows the typical responsivity for TH7813A and TH7814A.

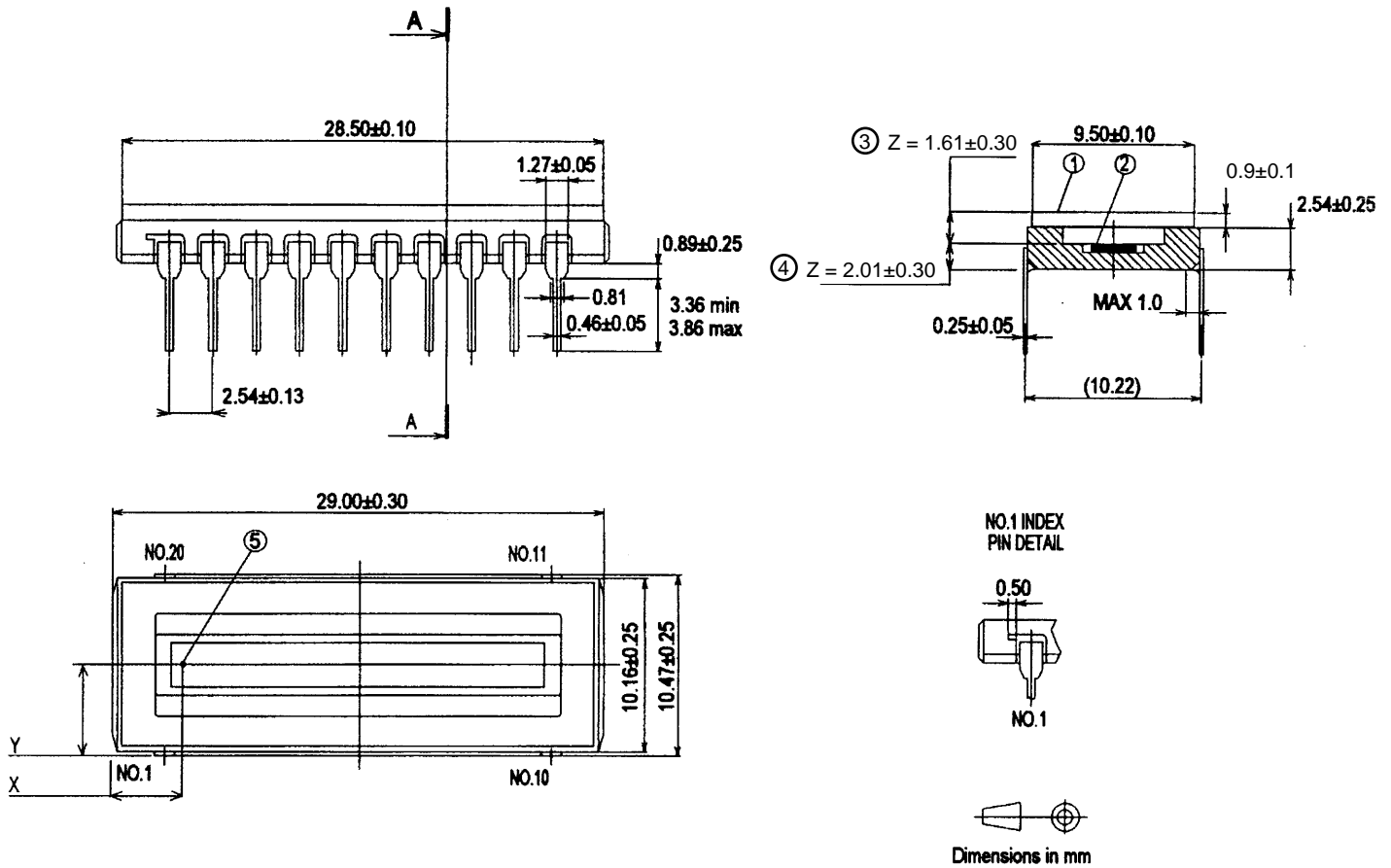
**Figure 8.** Spectral Responsivity





## Package Drawing

Both devices have the same optical center



- Notes:
1. Window
  2. Photosensitive area
  3. Optical distance between external face of window and photosensitive area
  4. Optical distance between backside of package and photosensitive area
  5. First pixel position (mm):

TH7813A	TH7814A
X = 9.6 ± 0.4	X = 4.5 ± 0.4
Y = 5.2 ± 0.35	Y = 5.2 ± 0.35

## Ordering Code

TH7813ACC

TH7814ACC



## Atmel Headquarters

### **Corporate Headquarters**

2325 Orchard Parkway  
San Jose, CA 95131  
TEL 1(408) 441-0311  
FAX 1(408) 487-2600

### **Europe**

Atmel Sarl  
Route des Arsenaux 41  
Case Postale 80  
CH-1705 Fribourg  
Switzerland  
TEL (41) 26-426-5555  
FAX (41) 26-426-5500

### **Asia**

Room 1219  
Chinachem Golden Plaza  
77 Mody Road Tsimhatsui  
East Kowloon  
Hong Kong  
TEL (852) 2721-9778  
FAX (852) 2722-1369

### **Japan**

9F, Tonetsu Shinkawa Bldg.  
1-24-8 Shinkawa  
Chuo-ku, Tokyo 104-0033  
Japan  
TEL (81) 3-3523-3551  
FAX (81) 3-3523-7581

## Atmel Operations

### **Memory**

2325 Orchard Parkway  
San Jose, CA 95131  
TEL 1(408) 441-0311  
FAX 1(408) 436-4314

### **Microcontrollers**

2325 Orchard Parkway  
San Jose, CA 95131  
TEL 1(408) 441-0311  
FAX 1(408) 436-4314

La Chantrerie  
BP 70602  
44306 Nantes Cedex 3, France  
TEL (33) 2-40-18-18-18  
FAX (33) 2-40-18-19-60

### **ASIC/ASSP/Smart Cards**

Zone Industrielle  
13106 Rousset Cedex, France  
TEL (33) 4-42-53-60-00  
FAX (33) 4-42-53-60-01

1150 East Cheyenne Mtn. Blvd.  
Colorado Springs, CO 80906  
TEL 1(719) 576-3300  
FAX 1(719) 540-1759

Scottish Enterprise Technology Park  
Maxwell Building  
East Kilbride G75 0QR, Scotland  
TEL (44) 1355-803-000  
FAX (44) 1355-242-743

### **RF/Automotive**

Theresienstrasse 2  
Postfach 3535  
74025 Heilbronn, Germany  
TEL (49) 71-31-67-0  
FAX (49) 71-31-67-2340

1150 East Cheyenne Mtn. Blvd.  
Colorado Springs, CO 80906  
TEL 1(719) 576-3300  
FAX 1(719) 540-1759

### **Biometrics/Imaging/Hi-Rel MPU/ High Speed Converters/RF Datacom**

Avenue de Rochepleine  
BP 123  
38521 Saint-Egreve Cedex, France  
TEL (33) 4-76-58-30-00  
FAX (33) 4-76-58-34-80

---

### **e-mail**

[literature@atmel.com](mailto:literature@atmel.com)

### **Web Site**

<http://www.atmel.com>

### **© Atmel Corporation 2002.**

Atmel Corporation makes no warranty for the use of its products, other than those expressly contained in the Company's standard warranty which is detailed in Atmel's Terms and Conditions located on the Company's web site. The Company assumes no responsibility for any errors which may appear in this document, reserves the right to change devices or specifications detailed herein at any time without notice, and does not make any commitment to update the information contained herein. No licenses to patents or other intellectual property of Atmel are granted by the Company in connection with the sale of Atmel products, expressly or by implication. Atmel's products are not authorized for use as critical components in life support devices or systems.

ATMEL® is the registered trademarks of Atmel.

Other terms and product names may be the trademarks of others.



Printed on recycled paper.