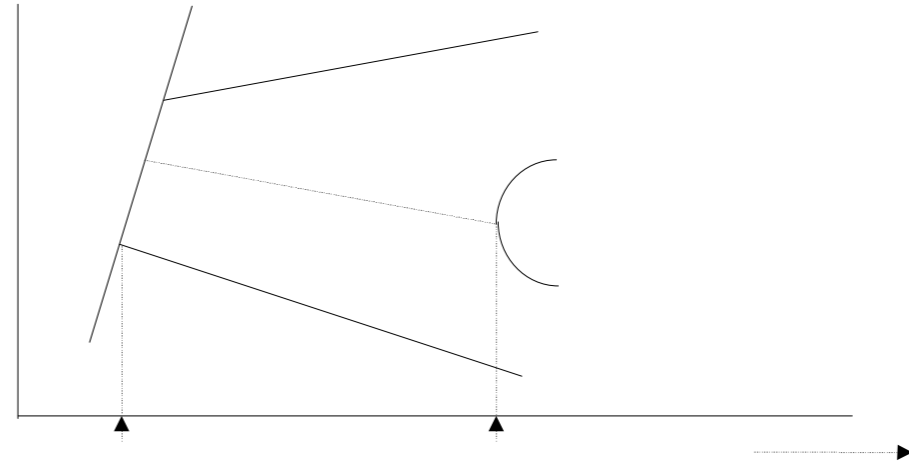
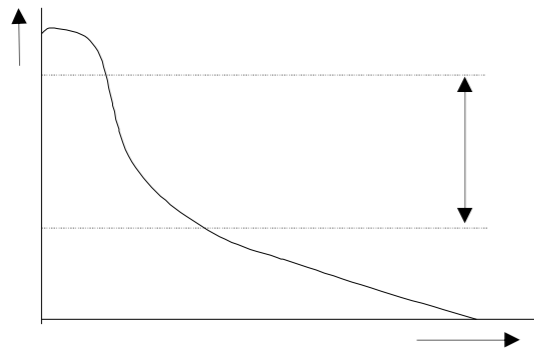
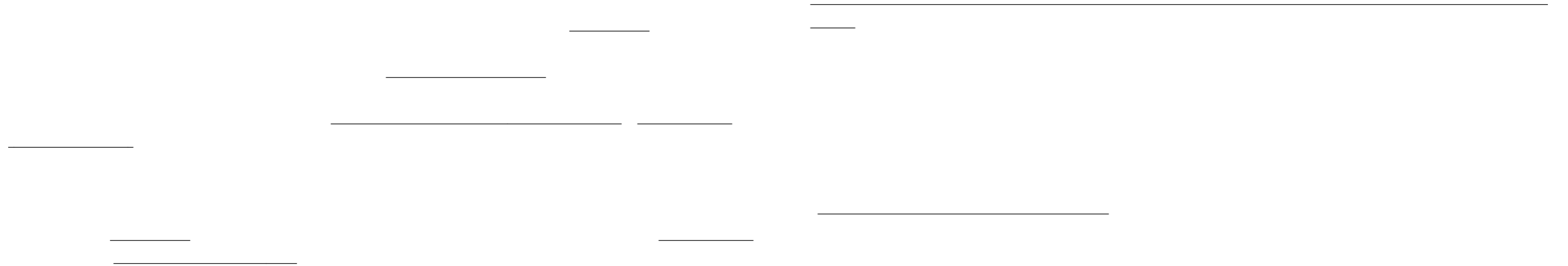


여기서 인화점 비점





o



√

$$\frac{1}{0.21}$$

Φ

$$\Phi = \frac{\frac{2.1}{(50 + 47.9)}}{\frac{2.1}{50}} = \frac{0.02145}{0.042}$$

$$\frac{77.34mol}{6.3 + 10.06 + 77.34}$$

과잉공기율 $\frac{\text{공급공기량} - \text{이론공기량}}{\text{이론공기량}}$

중기 공기밀도 _____

$$\frac{\Delta x}{\Delta}$$

α

α

α

ρ

$\frac{\Delta}{\Delta}$ Δ 열유율 $\frac{\text{열량}}{\text{시간}}$ 대류열전달율 벽면적 온도차
대류열전달율 $\frac{\quad}{\Delta}$

Δ
 Δ

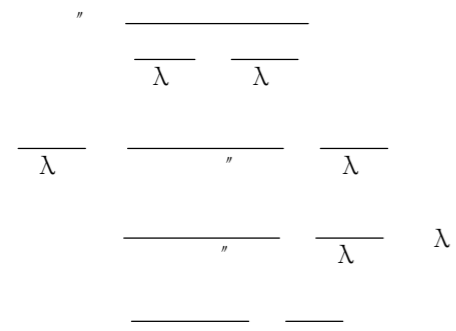
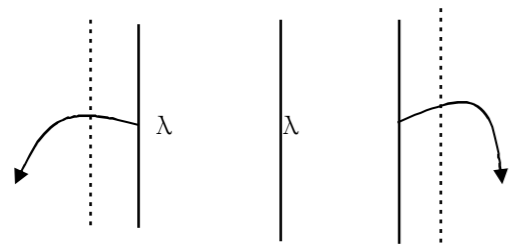
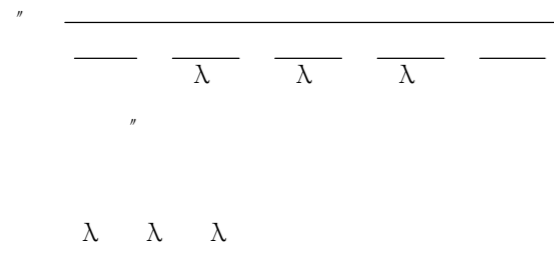
$$\frac{\Delta}{\Delta} \quad \frac{\Delta}{\Delta}$$

$$\frac{\Delta}{\Delta} \quad \frac{\Delta}{\Delta} \quad \text{---}$$

$\varepsilon \quad \alpha \quad \varepsilon \quad \alpha \quad \varepsilon$

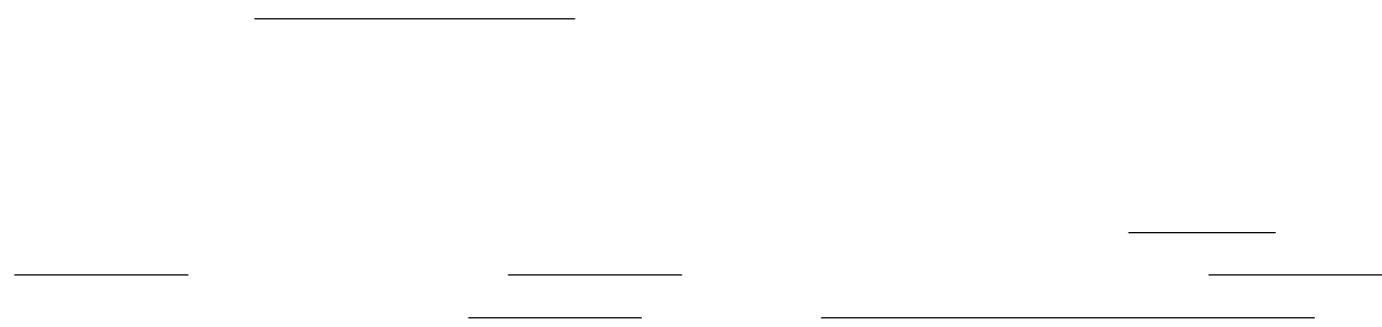
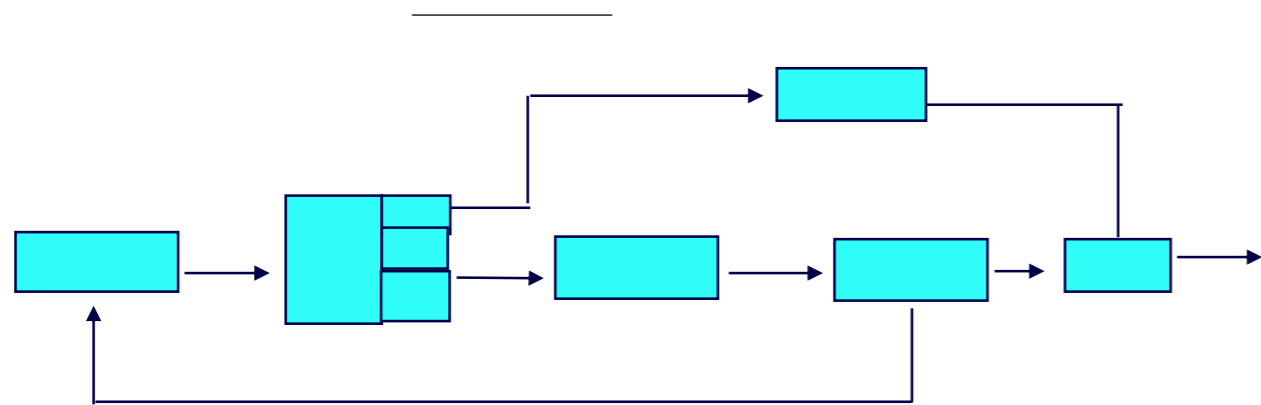
σ

σ



— 34 —





p

p

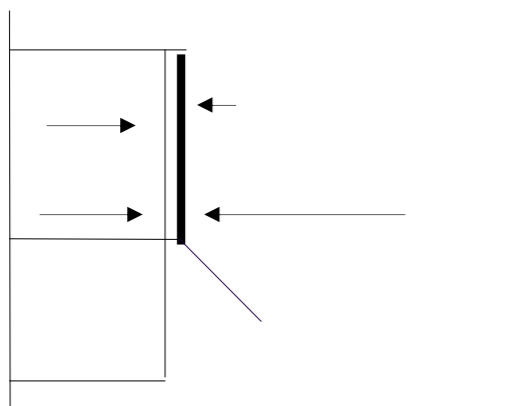
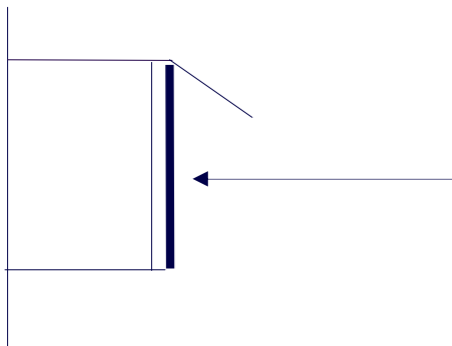
△

— △ 또는 △

△

△





_____	_____	_____
_____	_____	_____
_____	_____	_____
_____	_____	_____
_____	_____	_____

